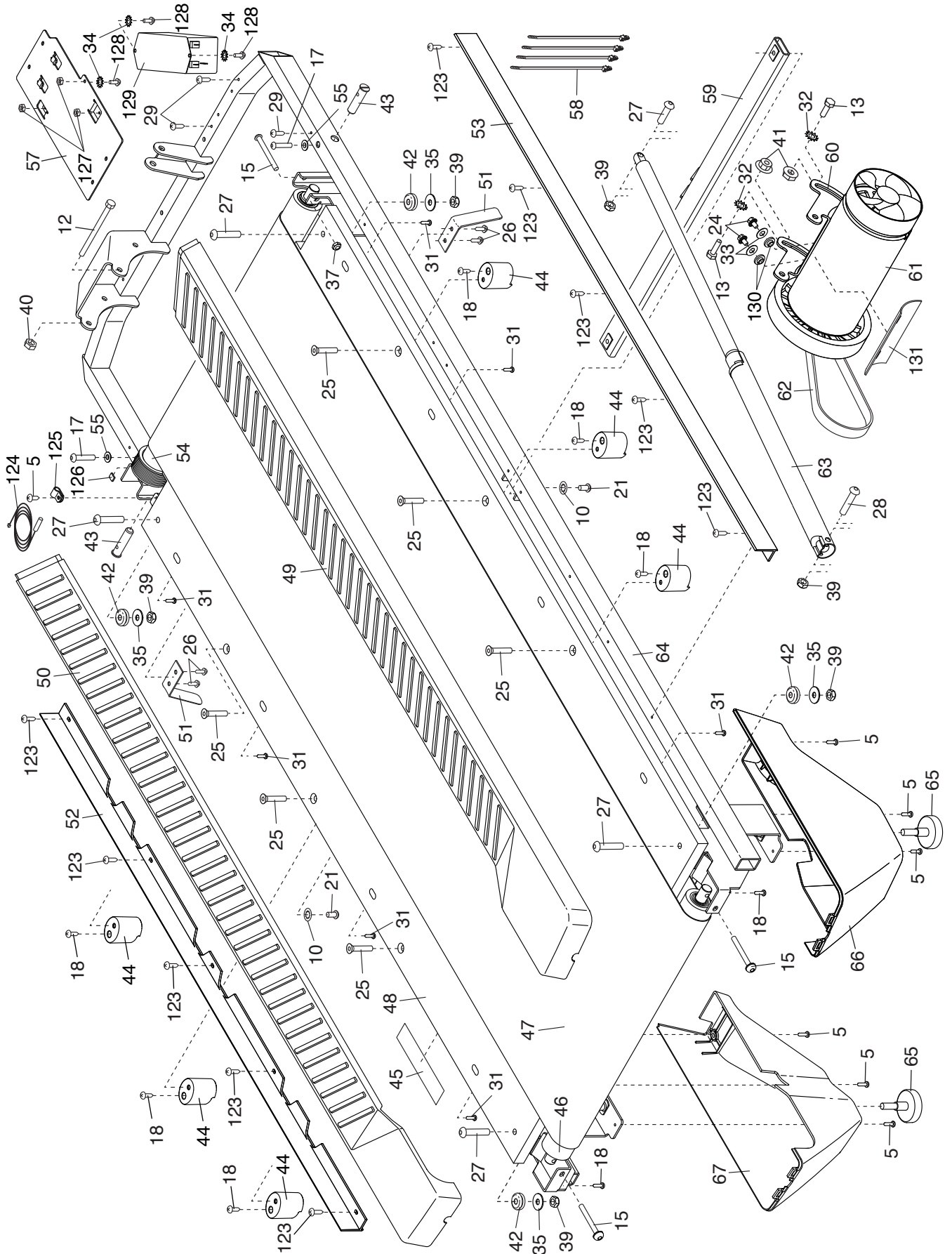


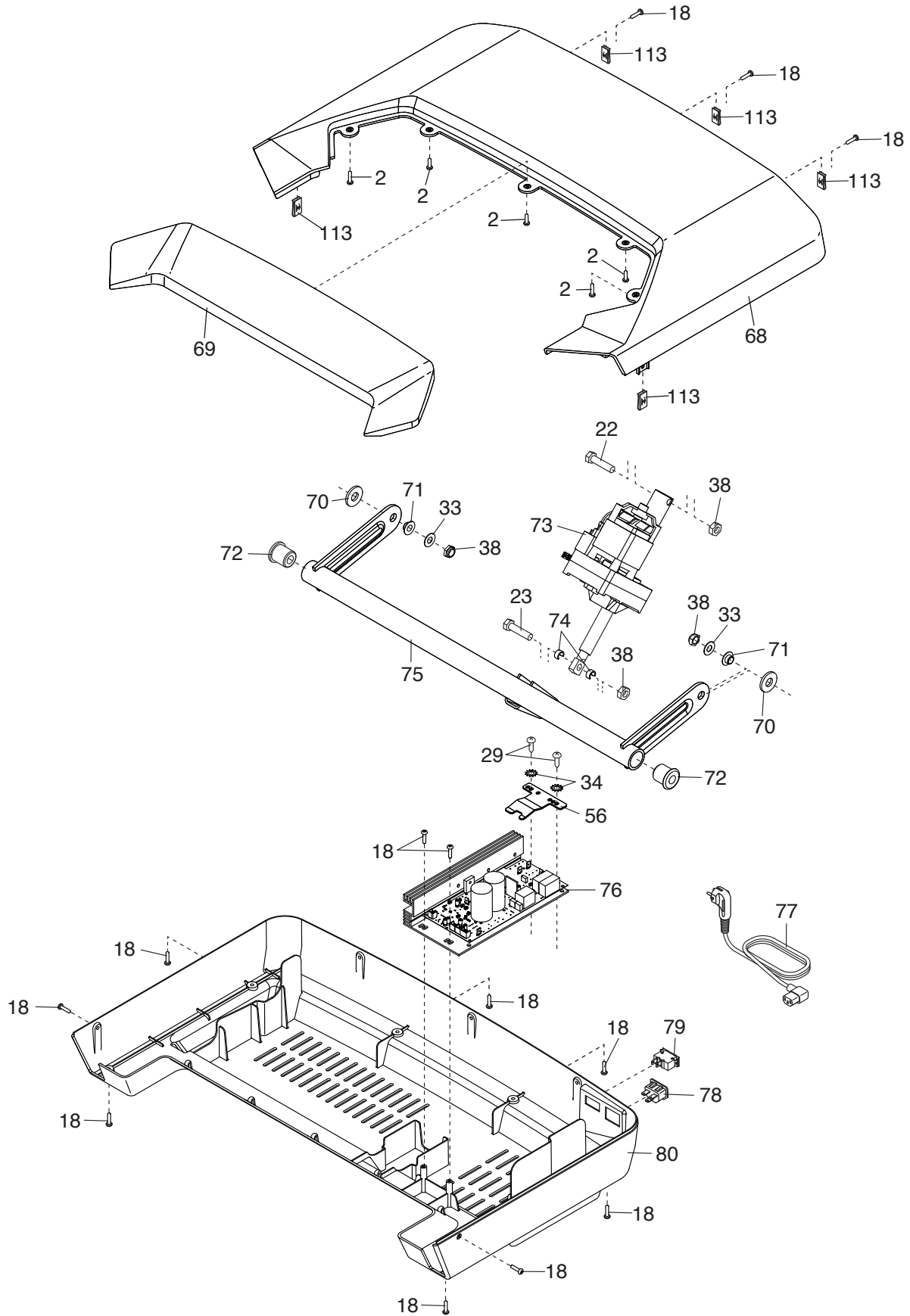
# EXPLODED DRAWING A

Model No. PFTL15820-INT.2 R0321A



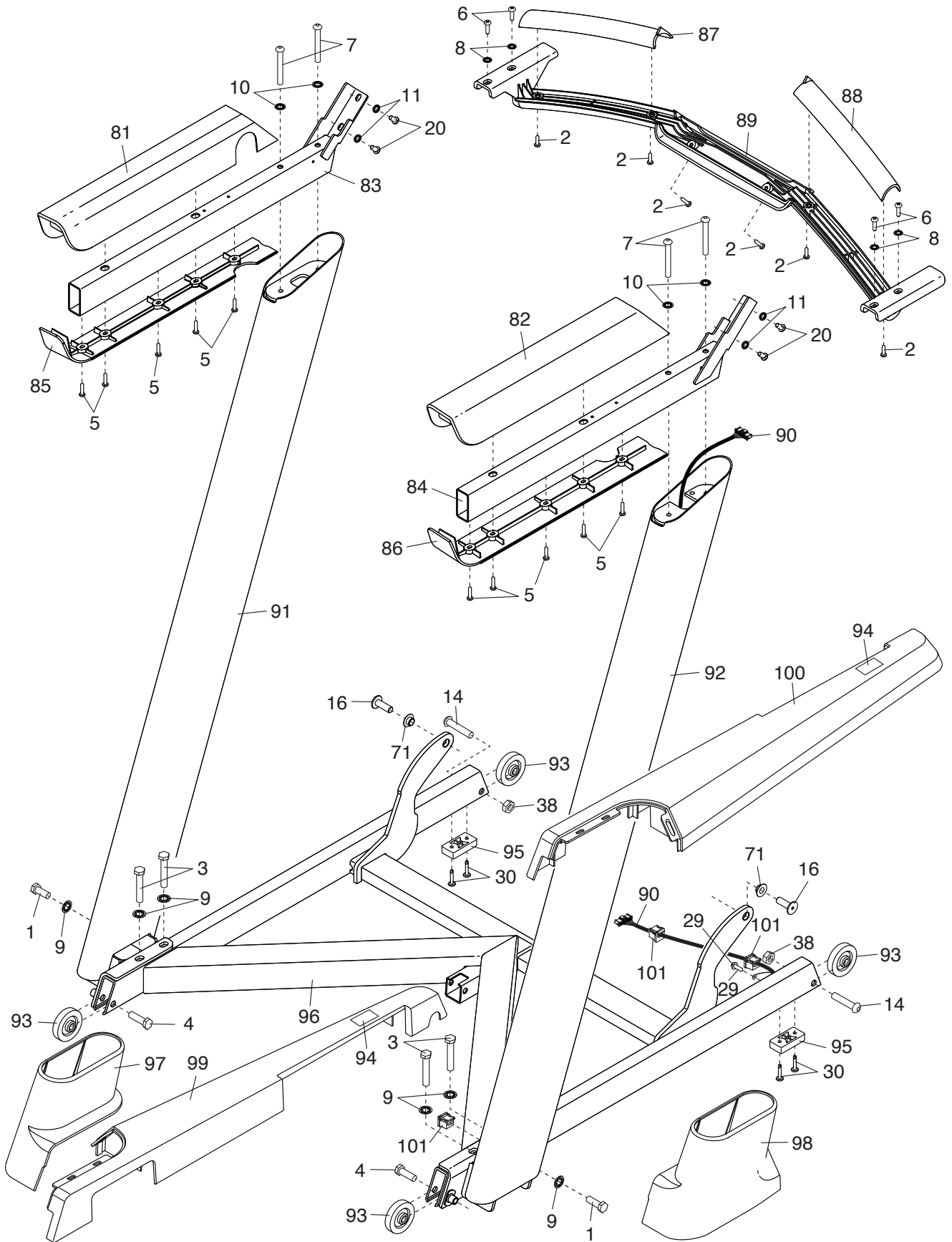
# EXPLODED DRAWING B

Model No. PFTL15820-INT.2 R0321A



# EXPLODED DRAWING C

Model No. PFTL15820-INT.2 R0321A



# EXPLODED DRAWING D

Model No. PFTL15820-INT.2 R0321A

